



DIPPER

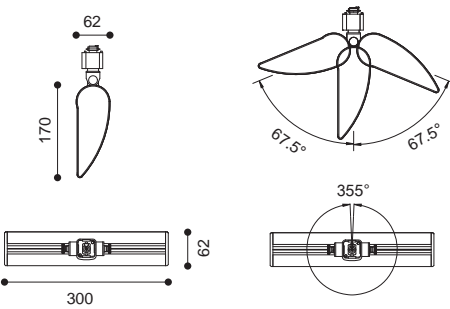
Dipper Serie wird zur Wand, Regal oder
Deckenbeleuchtung eingesetzt



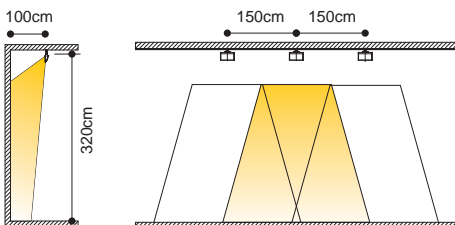


Article number	1619.100
LED Consumption	30W
Voltage	100-240 (V AC)
Lumen	2300+(lm)
Beam Angle	60°/90°
CCT	3000K
CRI	80+

Colours Black White

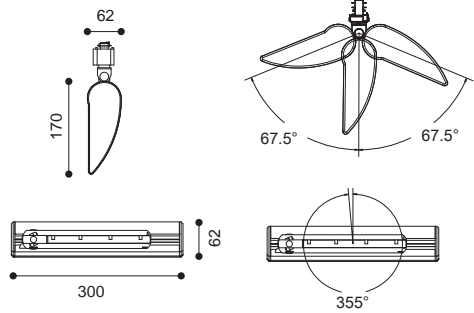


Light distribution

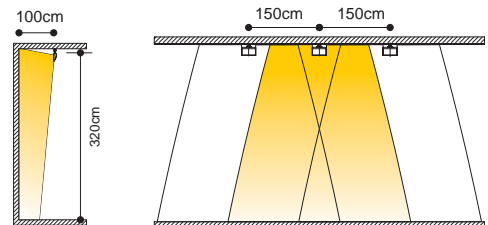


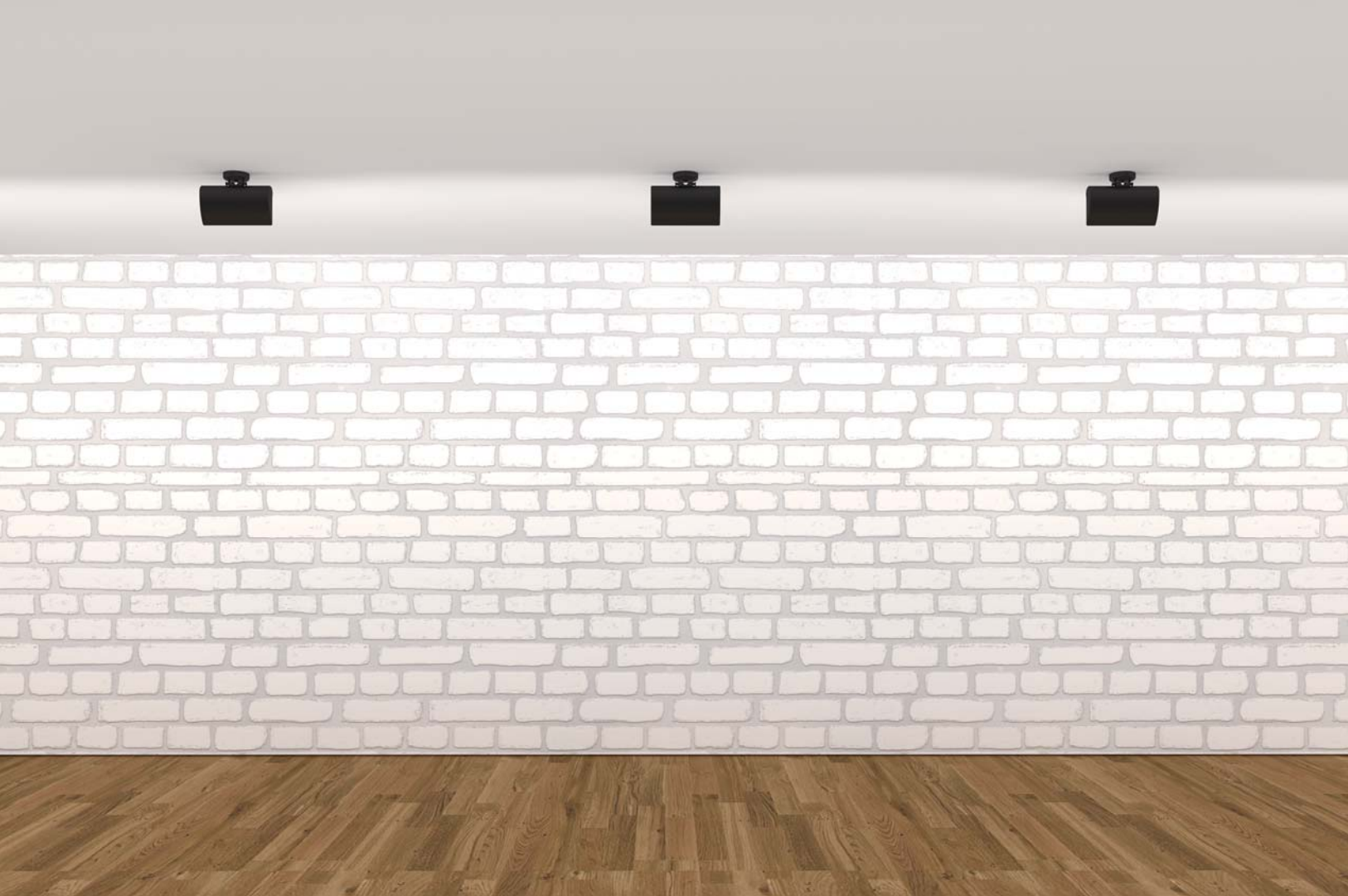
Article number	1619.101
LED Consumption	35W
Voltage	220-240 (V AC)
Lumen	3000+(lm)
Beam Angle	60°/90°
CCT	3000K
CRI	80+

Colours Black White



Light distribution

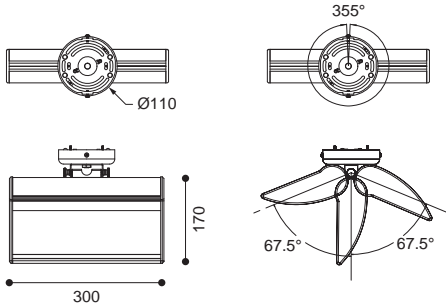




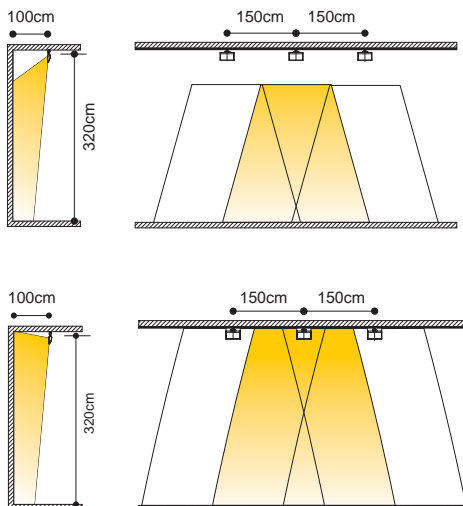


Article number	1619.302
LED Consumption	30W
Voltage	100-240 (V AC)
Lumen	2300+(lm)
Beam Angle	60°/90°
CCT	3000K
CRI	80+

Colours  
Black White

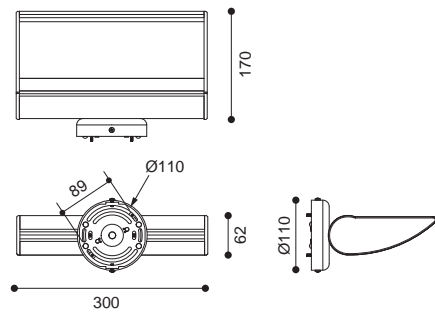


Light distribution



Article number	1615.101
LED Consumption	30W
Voltage	100-240 (V AC)
Lumen	2300+(lm)
Beam Angle	60°/90°
CCT	3000K
CRI	80+

Colours  
Black White



Light distribution

